

Instruction manual

BEHA VESUV VR1500

Heater 1500 watt



SAFETY WARNING

PLEASE READ AND SAVE THIS INSTRUCTION MANUAL TO ENSURE THE SAFE AND EFFECTIVE USE OF THE APPLIANCE.

This appliance is only use suitable for well insulated space or occasional use.

IMPORTANT SAFETY INSTRUCTIONS

Warning: To avoid the risk of electrical shock, always make sure the appliance is unplugged from the electrical outlet before relocating, servicing, or cleaning it.

- Make sure the voltage is the same as that indicated on the rating plate of the appliance.
- If the cord is damaged, it must be replaced by the manufacturer, its service agent, or similarly qualified persons to avoid a hazard.

CAUTION: Some parts of this product can become very hot and cause burns. Particular attention has to be given where children and vulnerable people are present.

- The heater must not be located immediately below a socket-outlet.

WARNING:

To avoid overheating, do not cover the heater.

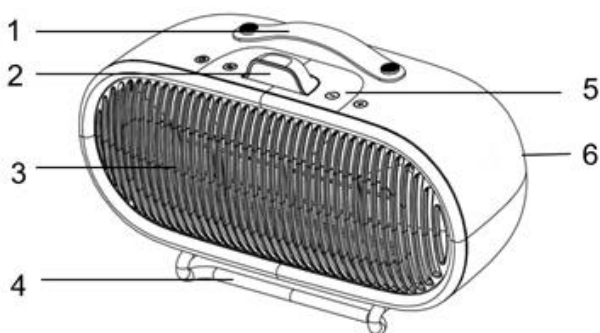
●CAUTION:

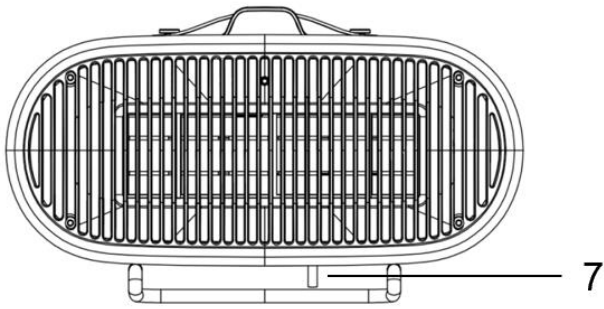
In order to avoid a hazard due to inadvertent resetting of the thermal cut-out, this appliance must not be supplied through an external switching device, such as a timer, or connected to a circuit that is regularly switched on and off by the utility.

- Do not use this heater in the immediate surroundings of a bath, a shower, or a swimming pool.
- Keep the appliance and cable away from sources of heat, sharp objects or anything that may cause damage.
- Ensure the appliance is switched off before connecting to the mains power supply.
- To disconnect the appliance, switch it “OFF”, and then remove the plug from outlet. Do not pull the cord to disconnect the plug.
- Switch off the power supply and disconnect from mains supply when not in use, before cleaning or other maintenance.
- Do not operate in areas where gasoline, paint or other flammable liquids are used or stored.
- Indoor use only.
- To prevent a possible fire, do not block air intakes or exhaust in any manner.
- Don't touch the hot surfaces.
- Do not use pesticide or other flammable spray around the product. Because it will damage the device and cause fire.
- Do not insert or allow foreign objects to enter any ventilation or exhaust opening, as this may cause an electric shock, fire or damage to the appliance.
- Always ensure that hands are dry before operating or adjusting any switch on the product or touching the plug and socket-outlet.
- Do not leave this appliance unattended when it's in use.
- The most common cause of overheating is deposits of dust or fluff in the appliance. Ensure these deposits are removed regularly by disconnect the appliance and vacuum cleaning air vents and grilles.
- Do not place the heater on carpet, don't place the cable under carpets. Arrange cord away from traffic areas so that it will not be tripped over.
- Do not store away until the heater cools down, store the heater in cool dry location when not in use.
- Do not use this heater if it has been dropped.

- Do not use if there are visible signs of damage to the heater.
- Do not use this heater in small rooms when they are occupied by persons not capable of leaving the room on their own, unless constant supervision is provided.
- Use this heater on a horizontal and stable surface, or fix it to the wall, as applicable.
- To reduce the risk of fire, keep textiles, curtains, or any other flammable material a minimum distance of 1 m from the air outlet.
- This appliance can be used by children aged from 8 years and above and persons with reduced physical, sensory, or mental capabilities or lack of experience and knowledge if they have been given supervision or instruction concerning use of the appliance in a safe way and understand the hazards involved. Children shall not play with the appliance. Cleaning and user maintenance shall not be made by children without supervision.
- Children of less than 3 years should be kept away unless continuously supervised.
- Children aged from 3 years and less than 8 years shall only switch on/off the appliance provided that it has been placed or installed in its intended normal operating position and they have been given supervision or instruction concerning use of the appliance in a safe way and understand the hazards involved. Children aged from 3 years and less than 8 years shall not plug in, regulate, and clean the appliance or perform user maintenance.

PRODUCT OVERVIEW



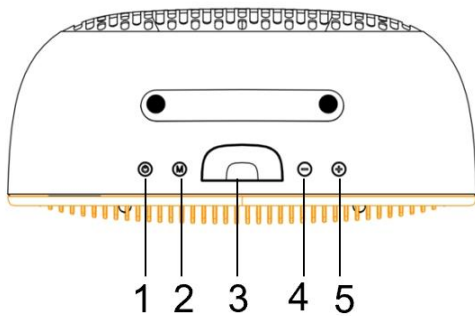


1	Handle	2	LED Display
3	Aluminum air outlet	4	Stand
5	Operation panel	6	Air inlet grille
7	Tip off switch		

INSTRUCTIONS

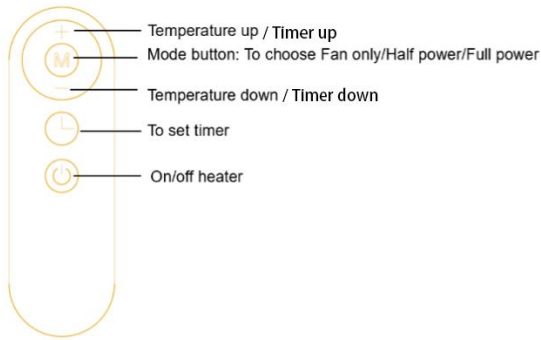
Note! Since the appliance and its heating elements are slightly greased when delivered, there might be a slight emission of smoke and odour the first time it is used. This is harmless and it'll stop after a short while. Be sure to provide sufficient ventilation during such time.

CONTROL PANEL



1. ON/OFF switch
2. Mode button: To choose Fan only/Half power/Full power. Hold on 3 seconds to set the timer
3. Display
4. Temperature/Timer down
5. Temperature/Timer up

REMOTE CONTROL



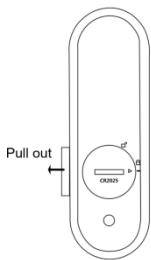
Operation Instruction:

1. Plug the power cord into a standard 220 - 240V AC electrical outlet.
2. Press “” button to start the heater and press “” button to change the mode. Every single press on the “” button, the heater will have one dot (fan only mode), two dots (half power 750W) or 3 dots (full power 1500W) showing on the display.
3. Press “” or “” button to set the temperature you need (10-35°C).
4. Hold on “” button for 3 seconds, the display will show the timer. Press “” or “” button to set the timer you need to auto power off the heater (up to 9 hours), the display will blink 5 times to indicate finish setting.
5. Press button on remote control and press “” or “” button to set the timer you need to auto power off the heater (up to 9 hours), the display will blink 5 times to indicate finish setting.
6. The product will keep running 30 seconds after turning off the heater for cooling down the machine.
7. When the room temperature reaches the pre-set temperature, the heater will stop heating and blow cooling air. As soon as the room temperature drop 2°C lower than pre-set temperature, the heater will back to heat again.

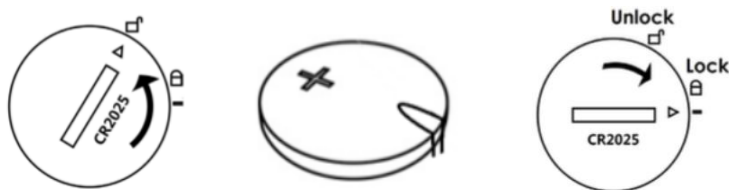
INSTRUCTIONS

REMOTE CONTROL

1. Remove the protective tab before using the remote control.



2. Replace the battery - Turn the battery compartment cover anti-clockwise to unlock position. Replace the battery according to the polarity: + upwards. Put the cover back and lock it securely by turning clockwise to the lock position.
3. It works with one 3 volts button cell battery CR2025.



To operate the heater, aim the remote control at the signal receptor. The remote control works from a distance of up to 5m when pointing at the signal receptor of the heater.

WARNING

Keep the remote control and the battery out of the reach of children.

NOTICE

1. If you don't use the product for a long time, take out the battery.
2. To prevent environmental pollution, take out the used battery and dispose safely and appropriately.

MAINTENANCE

Cleaning and Storage

Always disconnect the appliance and let it cool down completely before carrying out any maintenance.

Use a vacuum cleaner to remove dust on inlet and outlet surfaces.

Clean the outside of the unit with a damp cloth and then dry it with a dry cloth. Never immerse the unit in water, nor let water drip into the unit.

Always disconnect the appliance, let it completely cool and clean it before storing.

If you do not use the device for a long period, put back the unit and the instruction manual to the original carton and store in a dry and ventilated place.

Do not place any heavy items on top of carton during storing as this may damage the appliance.

TECHNICAL SPECIFICATIONS

Model Number	VR1500
Rating Voltage	220-240 V ~ 50-60 Hz
Power	1500 W
Protection Class	Class II

ERP information (GB)

Information requirements for electric local space heaters

Model identifier(s):VR1500					
Item	Symbol	Value	Unit	Item	Unit
Heat output				Type of heat input, for electric storage local space heaters only (select one)	
Nominal heat output	P_{nom}	1.5	kW	manual heat charge control, with integrated thermostat	No
Minimum heat output (indicative)	P_{min}	0.75	kW	manual heat charge control with room and/or outdoor temperature feedback	No
Maximum continuous heat	$P_{max,c}$	1.5	kW	electronic heat charge control with room and/or outdoor temperature	No
Auxiliary electricity consumption				fan assisted heat output	No
At nominal heat output	$e_{l_{max}}$	0.000	kW	Type of heat output/room temperature control (select one)	
At minimum heat output	$e_{l_{min}}$	0.000	kW	single stage heat output and no room temperature control	No
In standby mode	$e_{l_{SB}}$	0.000	kW	Two or more manual stages, no room temperature control	No
				with mechanic thermostat room temperature control	No
				with electronic room temperature control	Yes
				electronic room temperature control plus day timer	No
				electronic room temperature control plus week timer	No
				Other control options (multiple selections possible)	
				room temperature control, with presence detection	No

				room temperature control, with open window detection	No
				with distance control option	No
				with adaptive start control	No
				with working time limitation	No
				with black bulb sensor	No
Contact details	BEHA TARGET AS, EVJELØKKA 3,1661 ROLVSØY				

BEHA

BEHA TARGET AS, EVJELØKKA 3, 1665 ROLVSØY

e-post: post@beha.no

www.beha.no